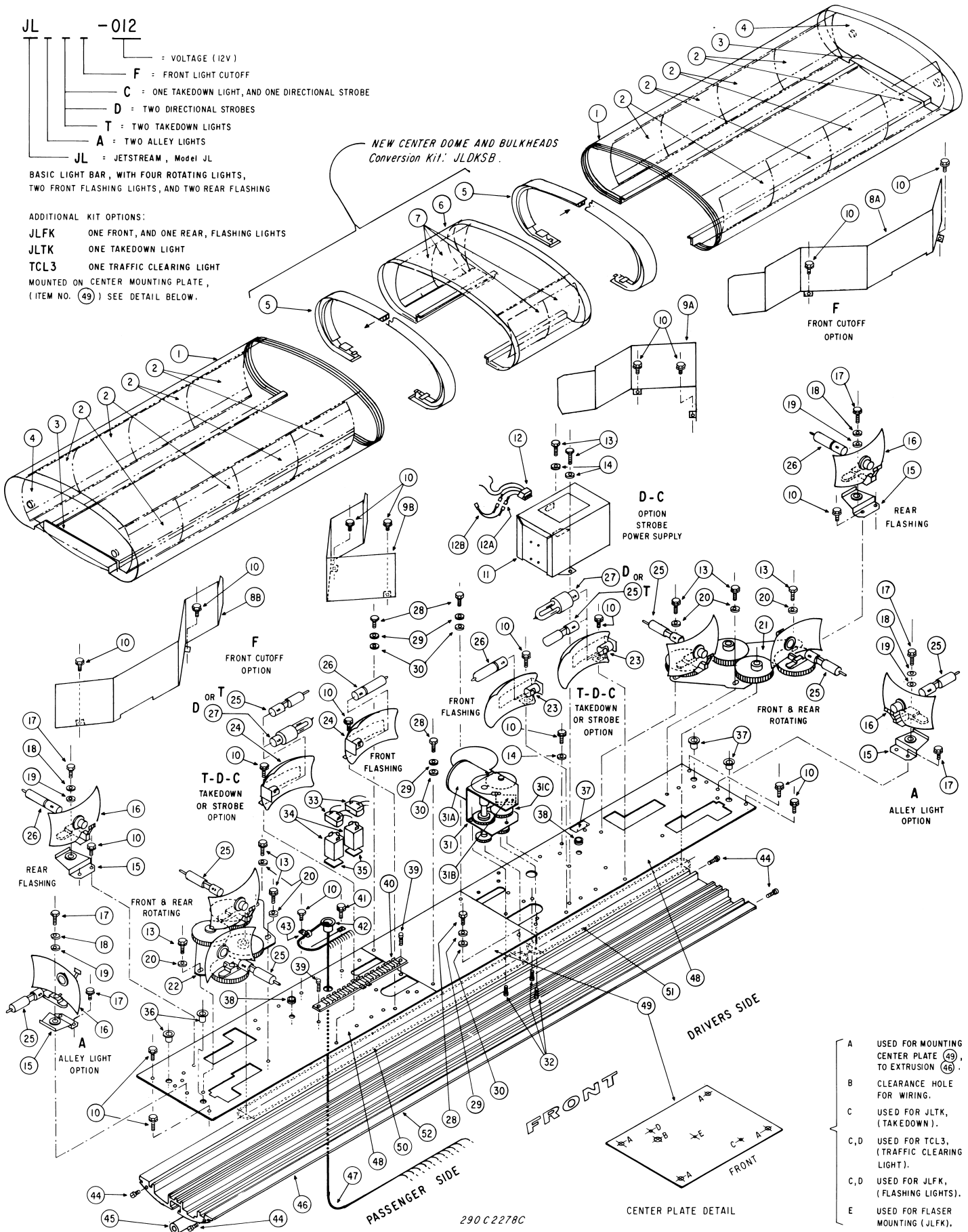


JL -012
 = VOLTAGE (12V)
 F = FRONT LIGHT CUTOFF
 C = ONE TAKEDOWN LIGHT, AND ONE DIRECTIONAL STROBE
 D = TWO DIRECTIONAL STROBES
 T = TWO TAKEDOWN LIGHTS
 A = TWO ALLEY LIGHTS
 JL = JETSTREAM, Model JL

BASIC LIGHT BAR, WITH FOUR ROTATING LIGHTS,
TWO FRONT FLASHING LIGHTS, AND TWO REAR FLASHING

ADDITIONAL KIT OPTIONS:

JLJK ONE FRONT, AND ONE REAR, FLASHING LIGHTS
 JLTK ONE TAKEDOWN LIGHT
 TCL3 ONE TRAFFIC CLEARING LIGHT
 MOUNTED ON CENTER MOUNTING PLATE,
 (ITEM NO. 49) SEE DETAIL BELOW.



290 C 2278 C

- A USED FOR MOUNTING CENTER PLATE (49), TO EXTRUSION (46).
- B CLEARANCE HOLE FOR WIRING.
- C USED FOR JLTK, (TAKEDOWN).
- C,D USED FOR TCL3, (TRAFFIC CLEARING LIGHT).
- C,D USED FOR JLJK, (FLASHING LIGHTS).
- E USED FOR FLASER MOUNTING (JLJK).

Jetstream™ Light Bar Model JL

Printed 1999

PPL0230
PARTS LIST

Item No.	Description	Part No.	JL	A	C	D	T	F
1	Dome, Clear	Z8552D054B	2					
2	Insert, Clear	JSDI-C						
	Insert, Red	JSDI-R	16					
	Insert, Amber	JSDI-A	AR					
	Insert, Blue	JSDI-B						
	Insert, Green	JSDI-G						
3	Gasket, Dome	Z8552B047B	2					
4	Insert, End, Clear	JSIEC-C						
	Insert, End, Red	JSIEC-R	2					
	Insert, End, Amber	JSIEC-A	AR					
	Insert, End, Blue	JSIEC-B						
	Insert, End, Green	JSIEC-G						
	Insert, End, Red, W/Cut-out	JSIECA-R	0					
	Insert, End, Amber, W/Cut-out	JSIECA-A	0	2				
	Insert, End, Blue, W/Cut-out	JSIECA-B	0	AR				
	Insert, End, Green, W/Cut-out	JSIECA-G	0					
5	Bulkhead & Gasket Assy (includes A & B below)	Z8552348A	2					
5A	Bulkhead		AR					
5B	Gasket, Bulkhead	Z8552349A	AR					
6	Dome, New Center	Z8552314A	1					
7	Insert, Center, Clear	JSSI-C						
	Insert, Center, Red	JSSI-R	4					
	Insert, Center, Amber	JSSI-A	AR					
	Insert, Center, Blue	JSSI-B						
	Insert, Center, Green	JSSI-G						
	Insert, Center, Black	JSSI-BK						
8A	Mirror Assy, Driver Side		0					1
8B	Mirror Assembly, Passenger Side	Z8552C225B-01	0					1
9	Mirror, V, Driver Side	Z8552C225B	1					
	Mirror, V, Passenger Side		1					
10	Screw, No. 10 Type B, Hex Hd.	Z7011A122-06	15	4	4	4	4	4
11	Power Supply, Strobe (J22)	J22	0	1	1	1	1	1
12	Connector, Strobe Power	Z139A141	0	1	1	1	1	1
12A	Wire, Terminated		0	1	1	1	1	1
12B	Cable Assembly, Strobe	Z146A664A	0	1	1	1	1	1
13	Screw, 10-32 x 3/8 Hex Hd.	Z7011A067-06	6	2	2	2	2	2
14	Lockwasher, No. 10 Internal Tooth	Z7075A014	0	3	3	3	3	3
15	Bracket, Lamp	Z8552A145A	2	2	2	2	2	2
16	Reflector, Socket, Contact Assy.	Z8552A179A	2	2	2	2	2	2
17	Screw, 10-32 x 1/4 Hex Hd.	Z7011A067-04	2	6	6	6	6	6
18	Washer, Flat, No. 12	Z7072A022	2	2	2	2	2	2
19	Lockwasher, No. 10 Internal Tooth	Z7075A014	2	2	2	2	2	2
20	Washer, Flat, No. 10	Z7072A010	6					
21	Gear Cluster Mechanism, Driver Side		1					
22	Gear Cluster Mechanism, Passenger Side		1					
23	Bracket, Lamp, Driver Side	Z8552A226A	1	1	1	1	1	1
24	Bracket, Lamp, Passenger Side	Z8552A227A	1	1	1	1	1	1

Item No.	Description	Part No.	JL	A	C	D	T	F
25	Rotating Light (replacements)							
25A	Lamp, T-4 Halogen (795)	Z8107A119A	4	2	1	2		
25B	Gear & Collector Ring Assembly		AR					
25C	Reflector, Gear & Contact Assy.		AR					
25D	Contact Assembly		AR					
26	Lamp, T-4 Halogen (796)	Z8548A028A	4					
27	Flash Tube Assembly, Strobe	Z8107A127B	0	1	2			
28	Screw, 1/4-20 x 3/8 Hex Hd.	Z7000A311-06	4					
29	Lockwasher, 1/4 Split	Z7074A015	4					
30	Washer, 1/4 Flat	Z7072A028	4					
31	Gear Shaft & Motor Bracket Assembly		1					
31A	Motor		1AR					
31B	Microswitch	Z8552A112A	1AR					
31C	Worm Gear Clutch Assembly	Z8542A039A	AR					
32	Screw, 8-32 x 3/8 Hex Hd.	Z7011A054-06	3					
33	Connector, Sealed Beam		2					
34	Flasher	Z8554B010B	2					
35	Fastener, Adhesive Pad	Z8537A533A	2					
36	Bushing, Snap	Z8552A041A	4					
37	Nameplate, Model JL	Z8146A940A	1					
38	Bushing, Nylon, 3/8 ID	Z231A144A	2					
39	Screw, 8-32 x 1/2 Thd. Form. Pan Hd.	Z7011A062-08	2					
40	Block, Terminal (14)		1					
41	Screw, Type B, #10 x 1/2 Hex Hd.	Z7011A122-08	1					
42	Bushing, Snap		1					
43	Clamp, Cable, 7/16	Z8542A028A-02	1					
44	Screw, 1/4-20 x 5/8 Trs. Hd.	Z7000A460-10	4					
45	Tubing, Extrusion Gasket	Z8552A104A	1					
46	Extrusion, Machined		1					
47	Cable, Power	Z175A572A	1					
48	Plate, Mounting		2					
49	Plate, Center	Z8552C042A-01	1					
50	Chain Drive, Passenger Side		1					
51	Chain Drive, Driver Side		1					
52	Label, WARNING	Z161A463A	1					
Not Shown								
	Brush Assembly	Z8552A011A						
	Nameplate, Dome	Z8146B1040A	2					

DO NOT ORDER PARTS BY ITEM NUMBER.

Give model, description and part number.

When a part number is not supplied, the part is **NOT** available.

Refer to PARTS PRICE LIST (Part No. 1001) for prices of parts.

Federal Signal Corporation
2645 Federal Signal Drive
University Park, IL 60466

Printed in U.S.A.